

Plastic Distribution Boxes

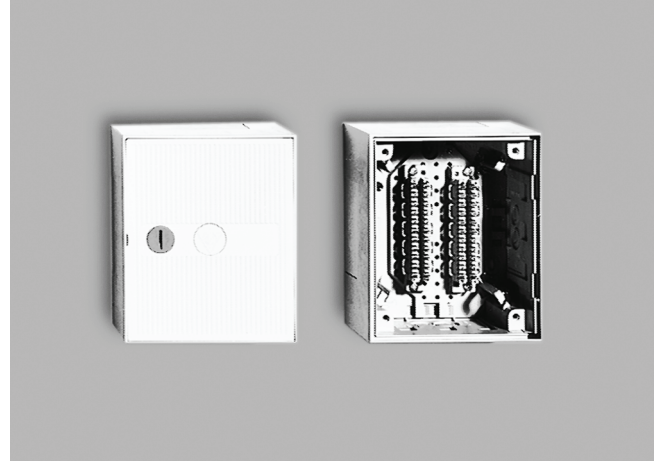
Plastic Distribution Box for Surface- and flush-mounted Applications

KRONECTION boxes are highly versatile. Three compact sizes with variable depth are available and are designed for surface or flush mounting. With just a few components, a high degree of flexibility is achieved at low inventory costs. The box is made of polystyrene, a self-extinguishing plastic which ensures corrosion-free, highly impact-resistant, stable and maintenance-free use. All installation aids, such as cable entries, cable fixing rings and wire guide rings, are moulded as part of the KRONECTION box.

- KRONECTION boxes with back-mount frames are designed for installation of overvoltage protection elements (additional wall attachment frame required)
- All KRONECTION boxes (empty housing) can be fitted with LSA-PLUS NT back-mount frames
 - **Back-mount frame NT for KRONECTION box I**
Order-No: 7014 3 046-13
Capacity: 30 pairs (without label holder)
 - **Back-mount frame NT for KRONECTION box II**
Order-No: 7014 3 046-12
Capacity: 70 pairs (including label holder)
 - **Back-mount frame NT for KRONECTION box III**
Order-No: 7014 3 046-11
Capacity: 120 pairs (including label holder)
- Protection class: IP 30 according to DIN 40050.
These distribution boxes are designed for indoor use.
- Flammability class: UL 94V-0
- Colour: RAL 7035
(polystyrene-compatible paintings possible).

Delivery:

fully assembled



KRONECTION-Box I fitted with 2 LSA-PLUS connection modules 1/10

Plastic Distribution Boxes

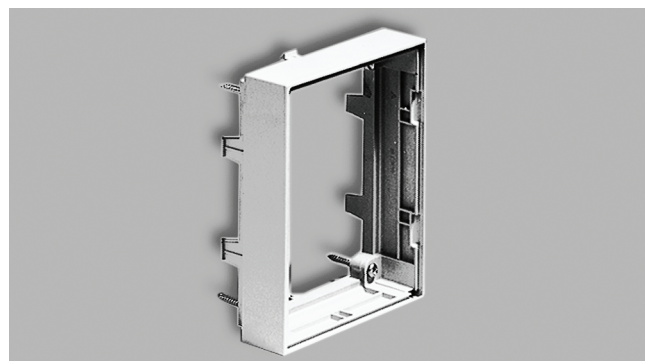
Order data:	Order-No:	Description	Dimensions H x W x D in mm	Weight/ pack	Pack
	6436 1	KRONECTION Box I			
	001-	Empty box	170 x 140 x 75	0.460 kg	1 piece
	002-	outfitted with 2 LSA-PLUS connection modules 1/10		0.520 kg	1 piece
	011-	outfitted with 1 LSA-PLUS connection module 1/10		0.460 kg	1 piece
	013-	outfitted with 1 back-mount frame for 3 LSA-PLUS modules 2/10		0.490 kg	1 piece
	6406 1	KRONECTION Box II			
	001-	Empty box	215 x 215 x 75	0.650 kg	1 piece
	002-	outfitted with 2 LSA-PLUS connection modules 1/10		0.780 kg	1 piece
	004-	outfitted with 4 LSA-PLUS connection modules 1/10		0.900 kg	1 piece
	015-	outfitted with 1 back-mount frame for 5 LSA-PLUS modules 2/10		0.780 kg	1 piece
	6437 1	KRONECTION Box III			
	001-	Empty box	320 x 215 x 75	0.912 kg	1 piece
	002-	outfitted with 2 LSA-PLUS connection modules 1/20		1.100 kg	1 piece
	004-	outfitted with 4 LSA-PLUS connection modules 1/20		1.300 kg	1 piece
	020-	outfitted with 1 back-mount frame for 10 LSA-PLUS modules 2/10		1.200 kg	1 piece
	20	Door with turnbuckle			
	21	Door with cylinder lock and one key			

Plastic Distribution Boxes

KRONECTION Box I, II, III (Accessories)



Flush-mounting frame



Attachment frame

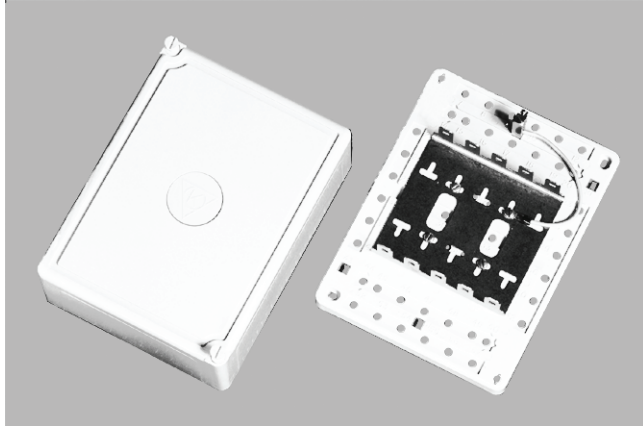
Order data:

Order-No:	Description	Weight/Pack	Pack
For KRONECTION Box I			
6436 2 004-20	Flush-mounting frame	0.110 kg	1 piece
6436 3 003-20	Attachment frame for increasing the installation depth by 37 mm for overvoltage protection applications	0.130 kg	1 piece
For KRONECTION Box II			
6406 2 004-20	Flush-mounting frame	0.170 kg	1 piece
6406 3 003-20	Attachment frame for increasing the installation depth by 37 mm for overvoltage protection applications	0.193 kg	1 piece
For KRONECTION Box III			
6437 2 004-20	Flush-mounting frame	0.293 kg	1 piece
6437 3 003-20	Attachment frame for increasing the installation depth by 37 mm for overvoltage protection applications	0.208 kg	1 piece

Optional accessories:

Order-No:	Description	Weight/Pack	Pack
6437 2 010-00	Cylinder lock for replacing the turnbuckle incl. one key	0.058 kg	1 piece
6406 2 013-00	Jumper pin as wire guide	0.005 kg	6 pieces

Plastic Distribution Boxes



Mini distributor 250 / 5

Small Plastic Distribution Box for Surface-mounted Applications

These small distribution boxes are used to connect and distribute cables in indoor applications. The boxes with pre-installed connection components are available for 2 up to 100 pairs, in a large variety of dimensions and equipping. LSA-PLUS contacts are used to terminate cable wires as well as integral earth wires. Several of the versions are designed to accommodate overvoltage protection elements.

- Enclosure: made of highly impact-resistant, thermoplastic ABS plastic; flammability class according to UL 94V-0
- Protection class: IP 20 according to DIN 40050
- The small distribution boxes are designed for indoor use

Delivery:

Fully assembled

Order data:

Order-No:	Description	Weight/Pack	Pack
Capacity 2 pairs			
6562 1 001-00	Mini distributor 8/2 (VVD 83) LSA-PLUS connection module for 2 pairs High cover; overvoltage protection can be installed when needed Dimensions in mm (H x W x D): 80 x 65 x 35 Colour: pearl-white (RAL 1013)	0.050 kg	1 piece
Capacity 10 pairs			
6748 1 102-00	Mini distributor 2/10 (Telecom company interface) 1 LSA-PLUS disconnection module 2/10 Includes simple insertion tool; shallow cover Dimensions in mm (H x W x D): 164 x 85 x 36 Colour: pearl-white (RAL 1013)	0.152 kg	1 piece
6591 1 001-00	Mini distributor 6/10 (VVD 85) LSA-PLUS connection module Shallow cover Dimensions in mm (H x W x D): 164 x 85 x 29 Colour: pearl-white (RAL 1013)	0.151 kg	1 piece
6591 1 004-00	Mini distributor 6/10 (VVD 85) LSA-PLUS connection module High cover; overvoltage protection can be installed when needed Dimensions in mm (H x W x D): 164 x 85 x 40 Colour: pearl-white (RAL 1013)	0.150 kg	1 piece
6429 1 078-00	Mini distributor 201 D 1 LSA-PLUS disconnection module 2/10 common contact strip Shallow cover Dimensions in mm (H x W x D): 170 x 120 x 43 Colour: grey (similar to RAL 7047)	0.214 kg	1 piece

Plastic Distribution Boxes

Order data:	Order-No:	Description	Weight/Pack	Pack
	Capacity 20 pairs			
	6455 1 016-00	Mini distributor 2/20 2 LSA-PLUS disconnection modules 2/10 common contact strip Shallow cover Dimensions in mm (H x W x D): 186 x 130 x 38 Colour: grey (similar to RAL 7047)	0.276 kg	1 piece
	6429 1 076-00	Mini distributor 201 D 2 LSA-PLUS disconnection modules 2/10 Shallow cover Dimensions in mm (H x W x D): 170 x 120 x 43 Colour: grey (similar to RAL 7047)	0.266 kg	1 piece
	6455 1 042-00	Mini distributor 2/20 2 LSA-PLUS disconnection modules 2/10 common contact strip High cover; overvoltage protection can be installed when needed, Dimensions in mm (H x W x D): 191 x 135 x 68 Colour: grey (similar to RAL 7047)	0.400 kg	1 piece
Capacity 30 pairs				
	6429 1 073-01	Mini distributor 220 1 back-mount frame for 30 pairs High cover; overvoltage protection can be installed when needed, Dimensions in mm (H x W x D): 170 x 120 x 80 Colour: grey (similar to RAL 7047)	0.480 kg	1 piece
Capacity 50 pairs				
	6525 1 022-00	Mini distributor 250/5 1 back-mount frame for 50 pairs, with earth wire High cover; overvoltage protection can be installed when needed, Dimensions in mm (H x W x D): 210 x 160 x 90 Colour: grey (similar to RAL 7047)	0.540 kg	1 piece
Capacity 100 pairs				
	6530 1 017-00	Mini distributor 301A 1 back-mount frame for 100 pairs, with earth wire High cover; overvoltage protection can be installed when needed, Dimensions in mm (H x W x D): 320 x 210 x 120 Colour: grey (similar to RAL 7047)	0.934 kg	1 piece

Plastic Distribution Boxes



Mini-Distributor

The mini distribution boxes are general purpose boxes which allow the installation of profile rods for the mounting of LSA PROFIL modules (Series 2 or NT). The base is fitted with profile clips and plastic profile rods and a sufficient number of jumper rings. Easy cable access is guaranteed through openings on all sides of the box lid.

Capacities:

Mini-distribution box 30 pairs:
40 pairs (LSA PROFIL NT) or 30 pairs (LSA PROFIL)

Mini-distribution box 50 pairs:
60 pairs (LSA PROFIL NT) or 50 pairs (LSA PROFIL)

Mini-distribution box 100 pairs:
120 pairs (LSA PROFIL NT) or 100 pairs (LSA PROFIL)

Protection level: IP 20 acc. DIN 40050
The mini distribution boxes are designed for indoor use

Material: ABS, Novodur
Colour: grey (RAL 7047)
Range of temperature: -20°C to +70°C

Order data:

Order-No:	Description	Weight/Pack	Pack
6428 1 100-00	Mini Distribution Box 30 Dimensions: 190 x 125 x 80 mm (H x W x D)		1 piece
6428 1 200-00	Mini Distribution Box 50 Dimensions: 210 x 160 x 90 mm (H x W x D)		1 piece
6428 1 300-00	Mini Distribution Box 100 Dimensions: 320 x 210 x 120 mm (H x W x D)		1 piece